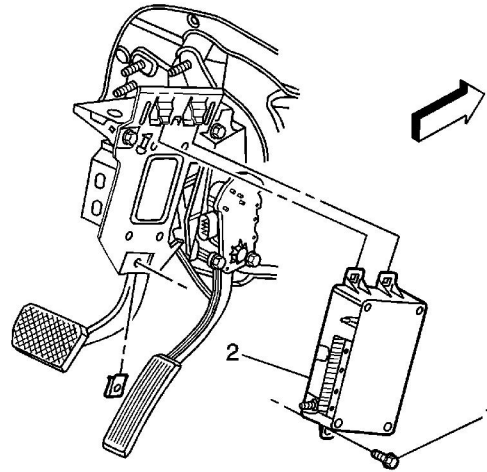


Communication Interface Module Replacement



Callout	Component Name
<p>Preliminary Procedure</p>	
<p>Remove the left instrument panel insulator. Refer to Instrument Panel Insulator Panel Replacement - Left Side.</p>	
<p>1</p>	<p>Communication Interface Module Bolt</p> <p>Caution: Refer to Fastener Caution in the Preface section.</p> <p>Tighten 10 N·m (89 lb in)</p>
<p>2</p>	<p>Communication Interface Module</p> <p>Procedure</p> <ol style="list-style-type: none"> 1. Pull down to release the module from the bracket. 2. Disconnect the electrical connectors, the GPS antenna, and the cellular coax cable. 3. If replacing the module, record the 10-digit STID number, and the 11-digit ESN number from the labels on the new module. 4. Reconfigure the OnStar® system. Refer to Control Module References. 5. When replacing the communication interface module be sure to transfer the Bluetooth antenna, if equipped. <p>Tip The vehicle communication interface module (VCIM) has a specific set of unique numbers that tie the module to each vehicle. These numbers, the 10-digit station identification and the 11-digit electronic serial number, are used by the National Cellular Network and OnStar® to identify the specific vehicle. Because these</p>

© 2011 General Motors Corporation. All rights reserved.

numbers are tied to the vehicle identification number of the vehicle, you must never exchange these parts with those of another vehicle.