

Cellular Communication Connector End Views

Connector 1: [Cellular Microphone](#)

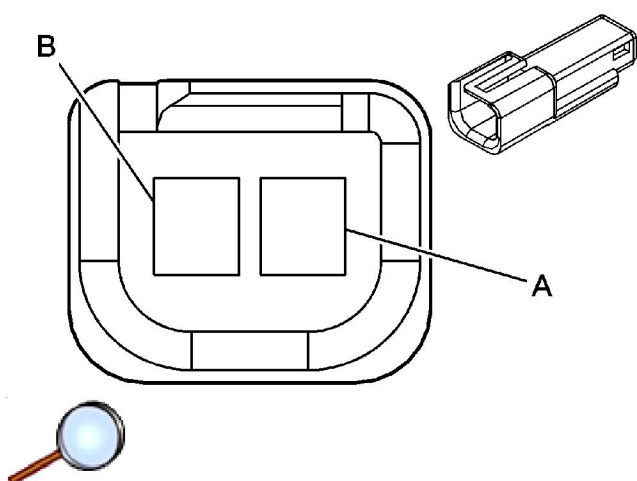
Connector 2: [Vehicle Communication Interface Module \(VCIM\) C1](#)

Connector 3: [Vehicle Communication Interface Module \(VCIM\) C2](#)

Connector 4: [Vehicle Communication Interface Module \(VCIM\) C3](#)

Connector 5: [Vehicle Communication Interface Module \(VCIM\) C4](#)

Cellular Microphone



Connector Part Information

- | OEM: 12047663
- | Service: 12058709
- | Description: 2-Way M Metri-Pack 150 Series (BK)

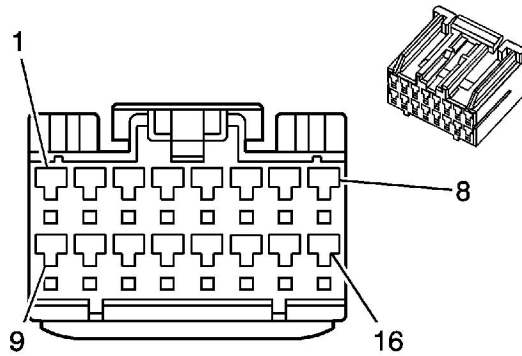
Terminal Part Information

- | Terminal/Tray: See Terminal Repair Kit
- | Core/Insulation Crimp: See Terminal Repair Kit
- | Release Tool/Test Probe: See Terminal Repair Kit

Cellular Microphone

Pin	Wire Color	Circuit No.	Function
A	BK	9705	Drain
B	GY	655	Cellular Microphone Signal

Vehicle Communication Interface Module (VCIM) C1



Connector Part Information

- | OEM: 917981-1
- | Service: 88952811
- | Description: 16-Way F KII Hybrid (WH)

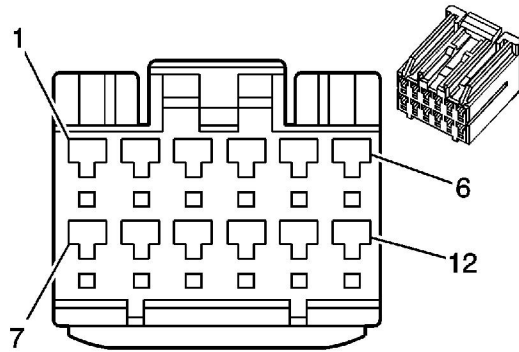
Terminal Part Information

- | Pins: 2, 3, 6, 8, 11, 15
- | Terminal/Tray: 15445905/23
- | Core/Insulation Crimp: Pins 2, 3, 6, 11 - J/J
- | Core/Insulation Crimp: Pins 8, 15 - K/K
- | Release Tool/Test Probe: 15315247/J-35616-16 (L-GN)

Vehicle Communication Interface Module (VCIM) C1

Pin	Wire Color	Circuit No.	Function
1	--	--	Not Used
2	BN/WH	2517	Keypad Red LED
3	YE/BK	2516	Keypad Green LED
4-5	--	--	Not Used
6	L-GN/BK	2515	Keypad Supply Voltage
7	--	--	Not Used
8	BK/WH	651	Signal Ground
9-10	--	--	Not Used
11	D-GN/WH	2514	Keypad Signal
12-14	--	--	Not Used
15	RD/WH	140	Battery Positive Voltage
16	--	--	Not Used

Vehicle Communication Interface Module (VCIM) C2



Connector Part Information

- | OEM: 917975-1
- | Service: 88952464
- | Description: 12-Way F KII Hybrid (WH)

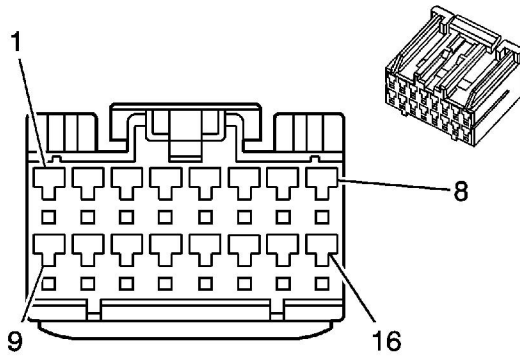
Terminal Part Information

- | Pins: 1, 2, 6, 8-10
- | Terminal/Tray: 15445905/23
- | Core/Insulation Crimp: J/J
- | Release Tool/Test Probe: 15315247/J-35616-16 (L-GN)

Vehicle Communication Interface Module (VCIM) C2

Pin	Wire Color	Circuit No.	Function
1	OG/BK	1406	Remote Tape Player Left Audio Signal
2	L-BU	1405	Remote Tape Player Audio Communication Signal
3-5	--	--	Not Used
6	L-GN	2271	Class 2 Serial Data
7	--	--	Not Used
8	BK	9012	Right Front Audio Drain Wire
9	GY	655	Cellular Telephone Microphone Signal
10	BK	9705	Drain Wire
11-12	--	--	Not Used

Vehicle Communication Interface Module (VCIM) C3



Connector Part Information

- | OEM: 917983-2
- | Service: 88952812
- | Description: 16-Way F KII Hybrid (BK)

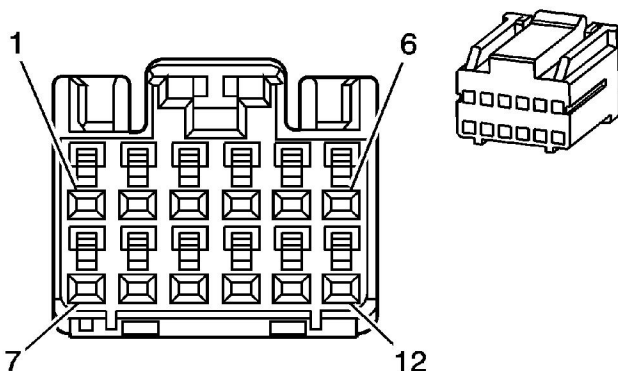
Terminal Part Information

- | Pins: 2, 4, 5
- | Terminal/Tray: 15445905/23
- | Core/Insulation Crimp: J/J
- | Release Tool/Test Probe: 15315247/J-35616-16 (L-GN)

Vehicle Communication Interface Module (VCIM) C3

Pin	Wire Color	Circuit No.	Function
1	--	--	Not Used
2	PK	5149	Voice Recognition Audio Signal
3	--	--	Not Used
4	PK/BK	5152	Voice Recognition Audio Low Reference
5	BK	9782	Drain
6-16	--	--	Not Used

Vehicle Communication Interface Module (VCIM) C4





Connector Part Information

- | OEM: 638695-2
- | Service: 88953373
- | Description: 12-Way F .040 Series (BK)

Terminal Part Information

- | Pins: 2, 3, 8, 9
- | Terminal/Tray: 175266-5/15
- | Core/Insulation Crimp: J/J
- | Release Tool/Test Probe: 15315247/J-35616-16 (L-GN)

Vehicle Communication Interface Module (VCIM) C4

Pin	Wire Color	Circuit No.	Function
1	--	--	Not Used
2	TN/BK	2500	High Speed GMLAN Serial Data (+)
3	TN	2501	High Speed GMLAN Serial Data (-)
4-7	--	--	Not Used
8	TN/BK	2500	High Speed GMLAN Serial Data (+)
9	TN	2501	High Speed GMLAN Serial Data (-)
10-12	--	--	Not Used